

# BELT CONVEYOR TYPE BC400



Belt conveyor type BC400 is made up of standard elements which, when correctly combined, can easily be fitted into any conveying installation.

The JEMA AGRO belt conveyor is manufactured in galvanized steel and designed in a light and easy-to-assemble modular system. Type BC400 is designed with guide rollers. The belt conveyor is quiet, and has low power consumption in relation to its capacity.

The belt conveyor can transport materials in both directions. There is also the possibility for transport at an upward angle of up to 30° using carriers, however, with reduced capacity. The belt conveyor is designed for industrial purpose, and it is suitable for gentle transport of most materials.

#### Standard equipment:

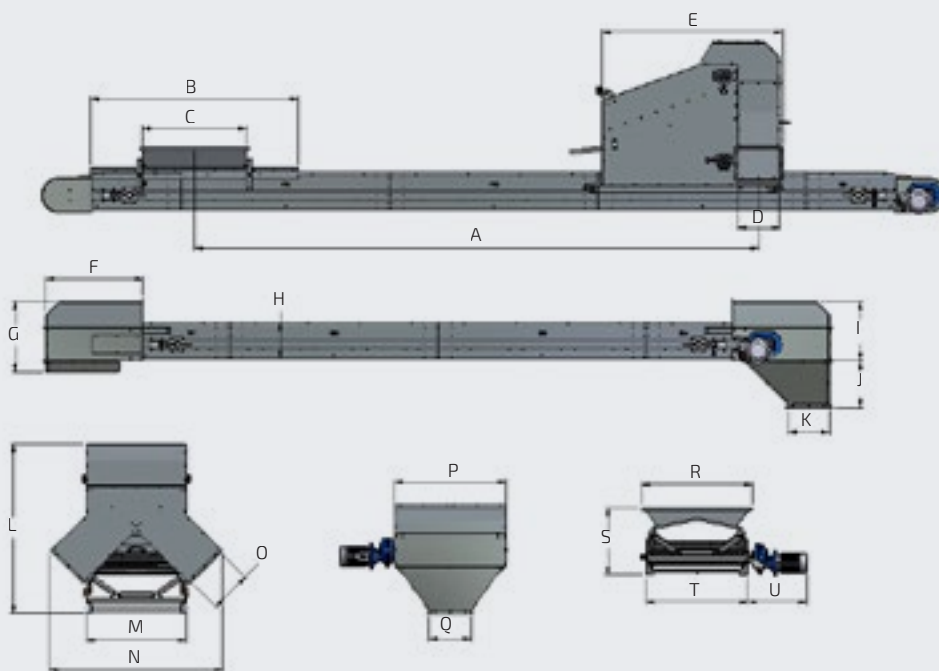
- Directly mounted gear motor
- Torque arm for shock absorption
- EP-belt
- Support rollers each 0,5 m
- Returning rollers each 2,0 m
- Shielding for drive station/tightening section
- Tightening in both drive station and tightening section

#### Accessories:

- Inlet hoppers
- Outlet skirts/outlet hoppers
- Cover for top/bottom
- Speed control monitor
- Moveable tripper carriage
- Drive winch for moving the tripper carriage
- Belt with vulcanised v-carriers
- Belt guide rollers
- Belt scraper external
- Belt scraper internal
- Side extensions
- Oil resistant belt
- Outlet deviser



# BELT CONVEYOR TYPE BC400



## Dimensions BC400:

	A	B	C	D	E	F	G	H	I	J	K
BC400	Min. 11000	2000	1000	400 x 400	1730	935	680	360	572	450	400 x 400

	L	M	N	O	P	Q	R	S	T	U
BC400	1630	960	1666	400 x 400	1070	400 x 400	1065	645	982	690

## Technical specifications:

	BC400
Capacity based on 750 kg/m <sup>3</sup> (wheat) t/h	300 t/h
Capacity m <sup>3</sup> /h	400 m <sup>3</sup> /h
Rotation speed	150 RPM
Belt speed	2,3 m/s
Drum diameter	Ø300 mm
Belt width	800 mm
Belt type	EP250/2
Plate thickness, drive station/ tightening section	2/3 mm
Plate thickness, extension	2/3 mm

